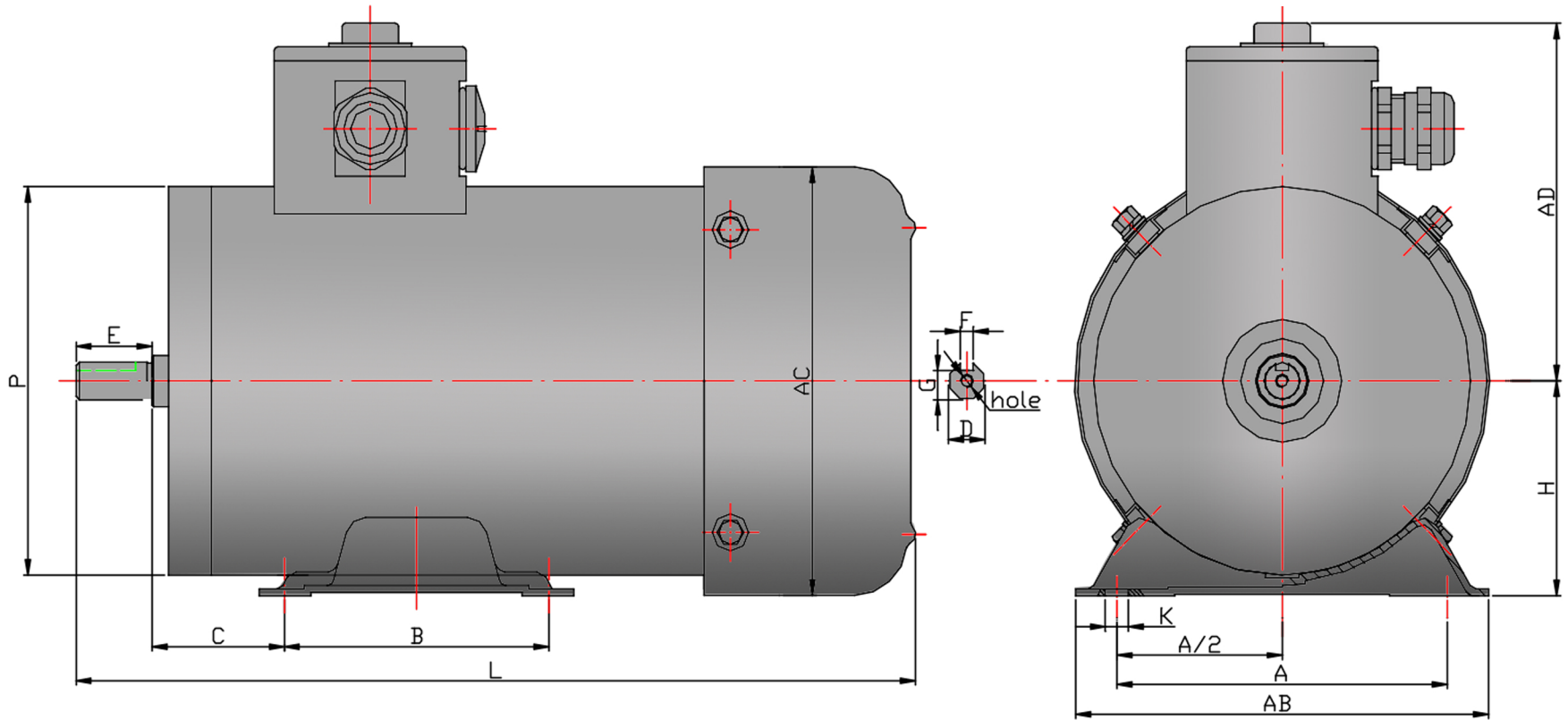


MaxMotion



Version: WT11	Revised: 22-09-2021	Frame	RPM	A	A/2	B	C	D	E	F	MPS/MQS-90S6FC-S3
Customer is responsible in determining that MEP product will fit/perform suitably in the intended application		90S	1200	140	70	100	56	24	50	8	
		G	H	K	P	hole	AB	AC	AD	L	
		20	90	10	164	M8	165	176	141	369	